

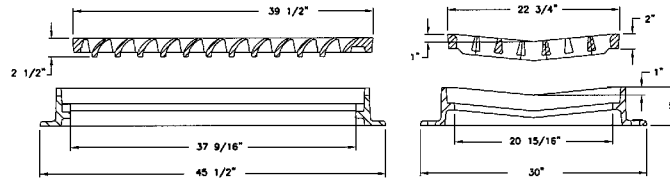
7568 CATCH BASIN CURB INLE

Heavy duty
Specify grate Type

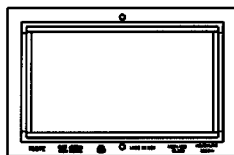
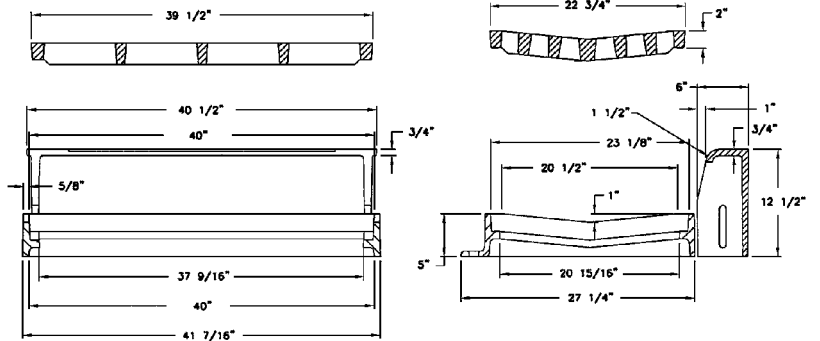
Options
Back for curb inlet
"DUMP NO WASTE!" lettering and fish image
Multiple frame combinations



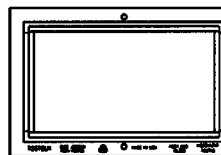
Heavy duty Standard frame, 7567M vane grate, approx. 340 sq. in open area



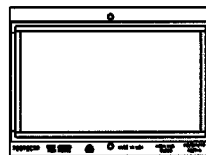
Heavy duty Center frame, 7567M2 grate, 7568 T1 back
Approx. 370 sq. in open area



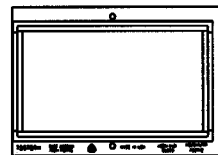
Standard Frame



CH/LH Frame



Center Frame



CH/RH Frame

Supplied By:

**TRENCHDRAIN
SUPPLY**

877-903-7246

www.trenchdrainsupply.com